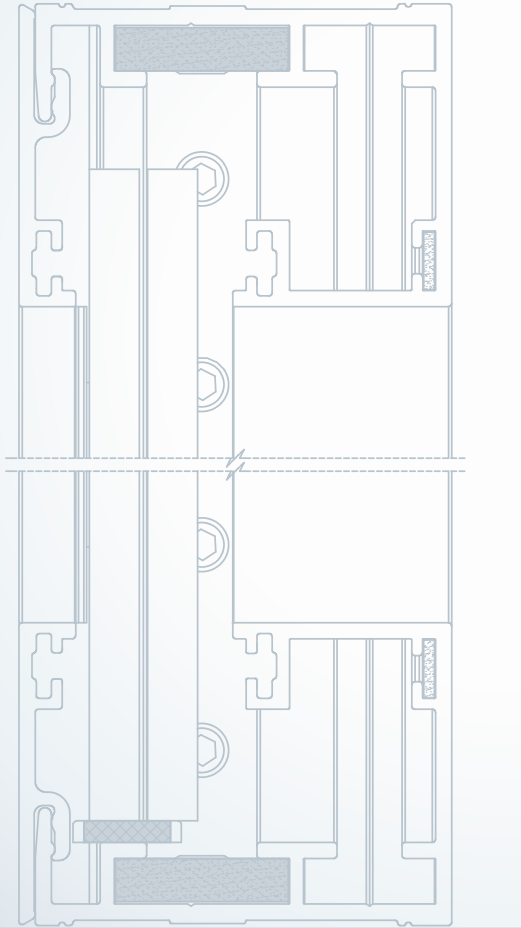


innovative glass systems

yes
we do
care



SYMMETRICO
Vi40
glass partition system

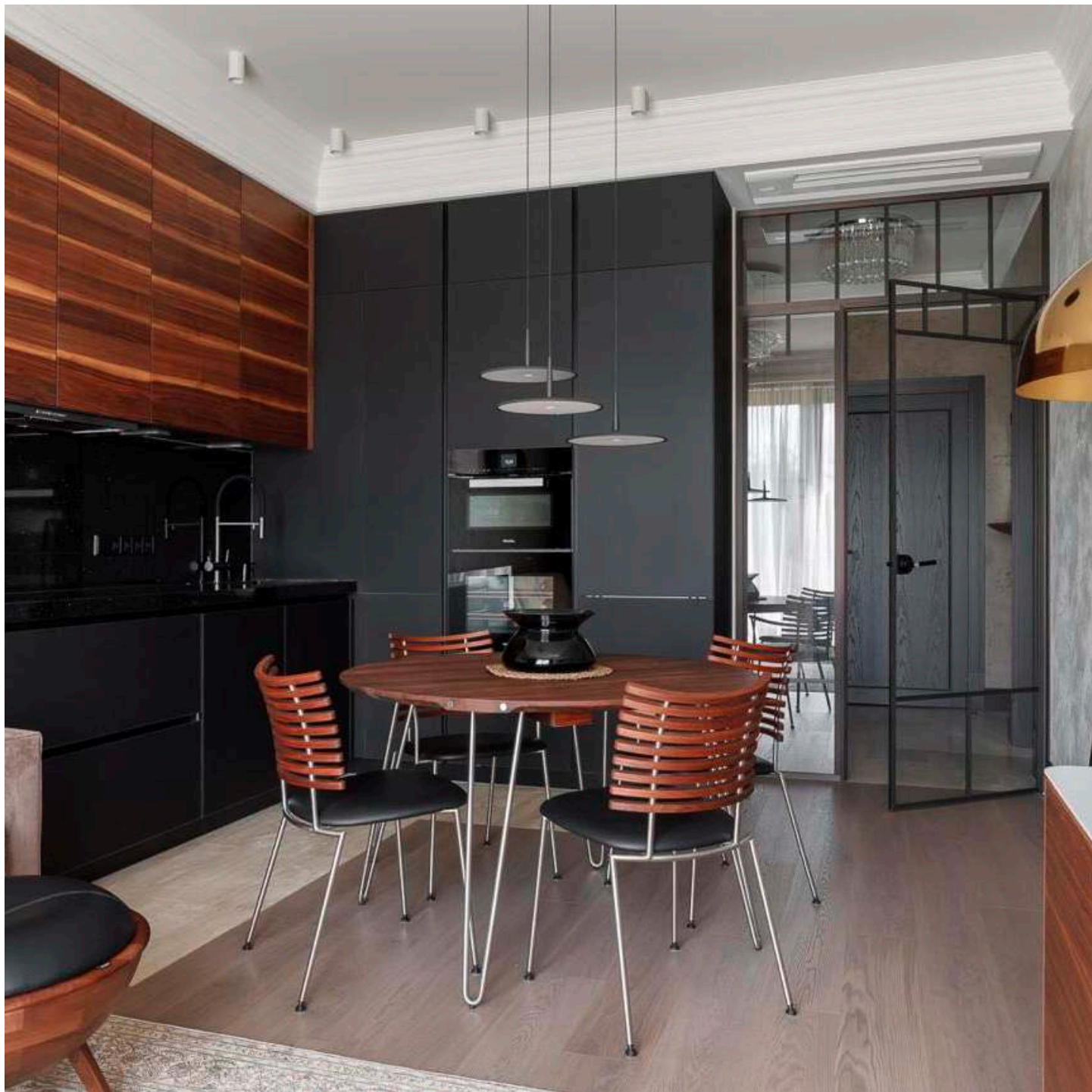
/// IALONET®

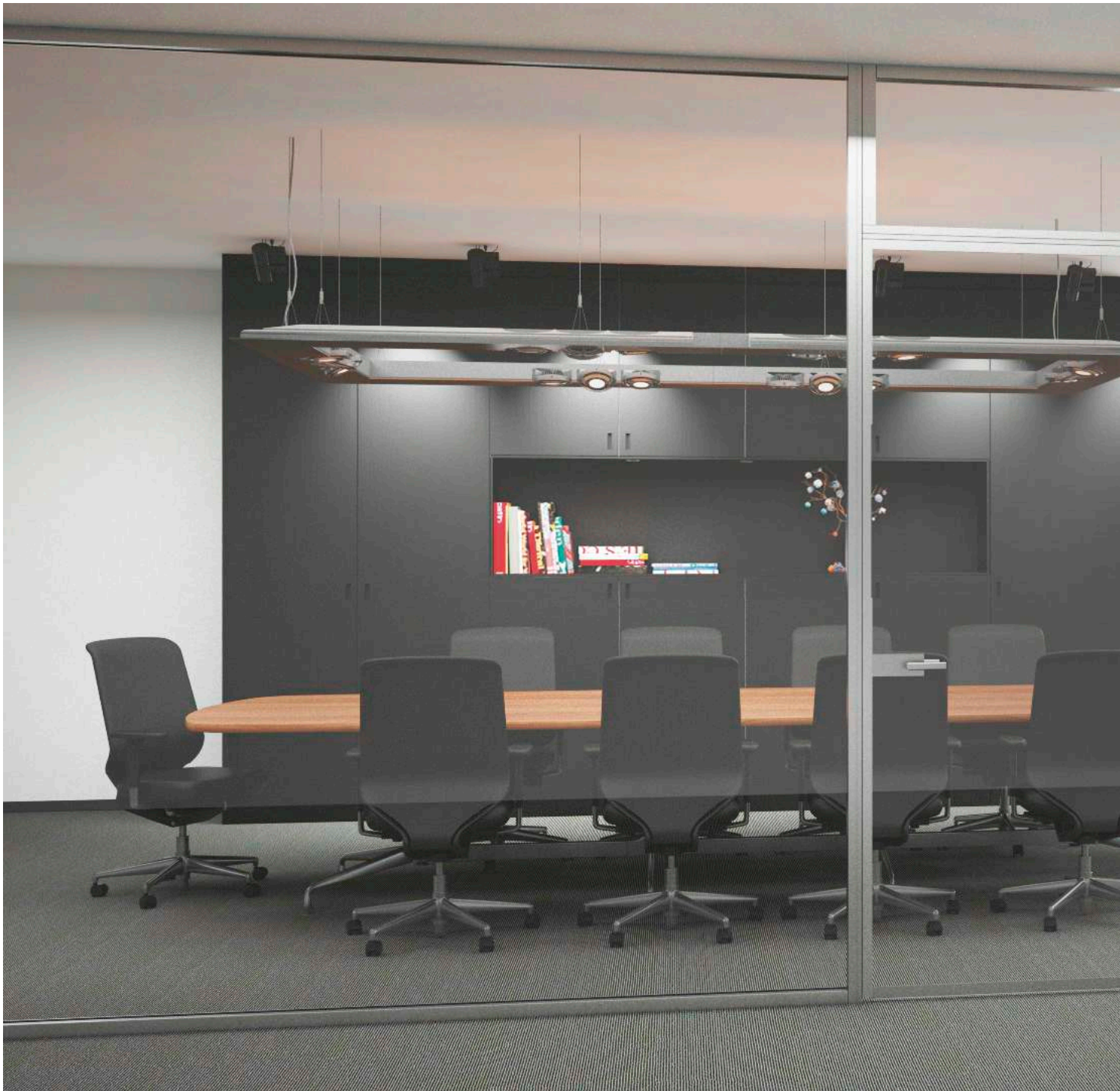
Glass partition systems with single glazing are known for many years. They have evolved considerably to meet the needs of modern architectural design. The need for sound insulation and static safety, combined with fine cross sections, has led us to design systems that can be placed three, two or one glass panel. This is the main difference with the common glass partitions.

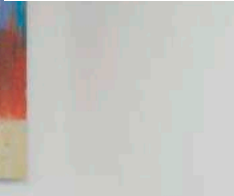
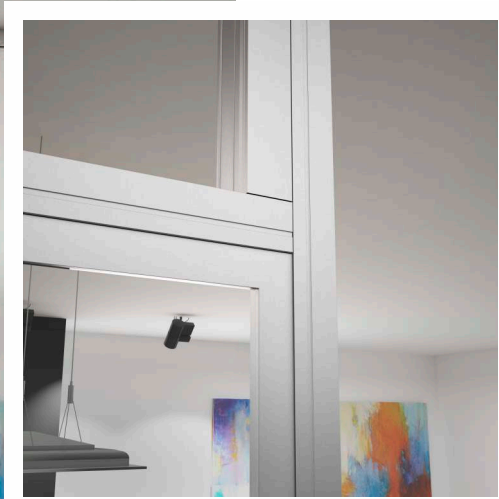
The partition systems, under the trade names Vi28, PS80, and our brand new Vi40, use aluminum profiles, which are securely placed both on the roof and on the floor. In fact, our systems create a frame structure which holds the glass panel. In addition, ultra-transparent special polycarbonate profiles are used to connect the glass panels. High sound insulated double face sticky tapes can also be used for a perfect joint between glass panels.

SYMMETRICO
Vi40



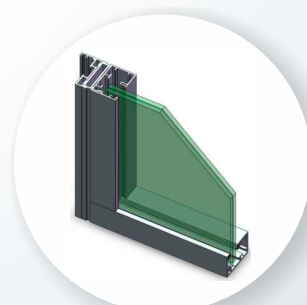
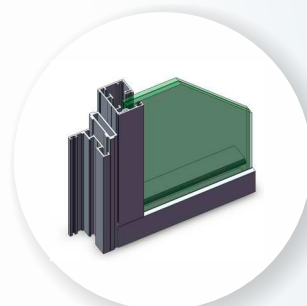
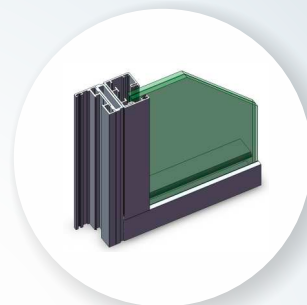
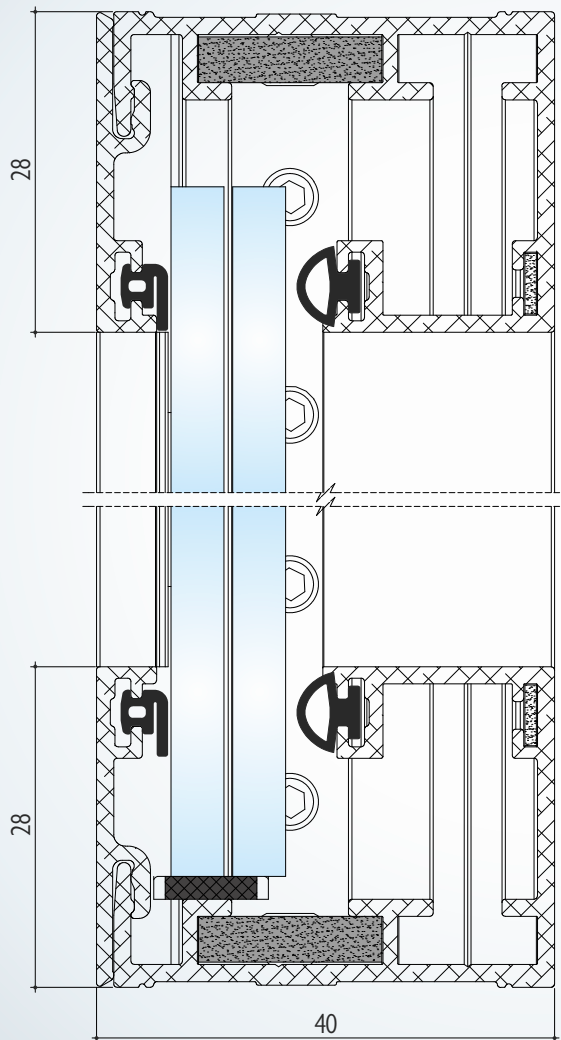






AUTOMATIC
DROP DOWN
SEAL

TECHNICAL SPECIFICATION | ΤΕΧΝΙΚΑ ΧΑΡΑΚΤΗΡΙΣΤΙΚΑ



yes
we do
care



www.ialonet.gr | info@ialonet.gr



84, Kriezi str., Aspropyrgos - Attica, P.C. 193 00 Greece
t. +30 210 40.82.642 • f. +30 210 40.82.643